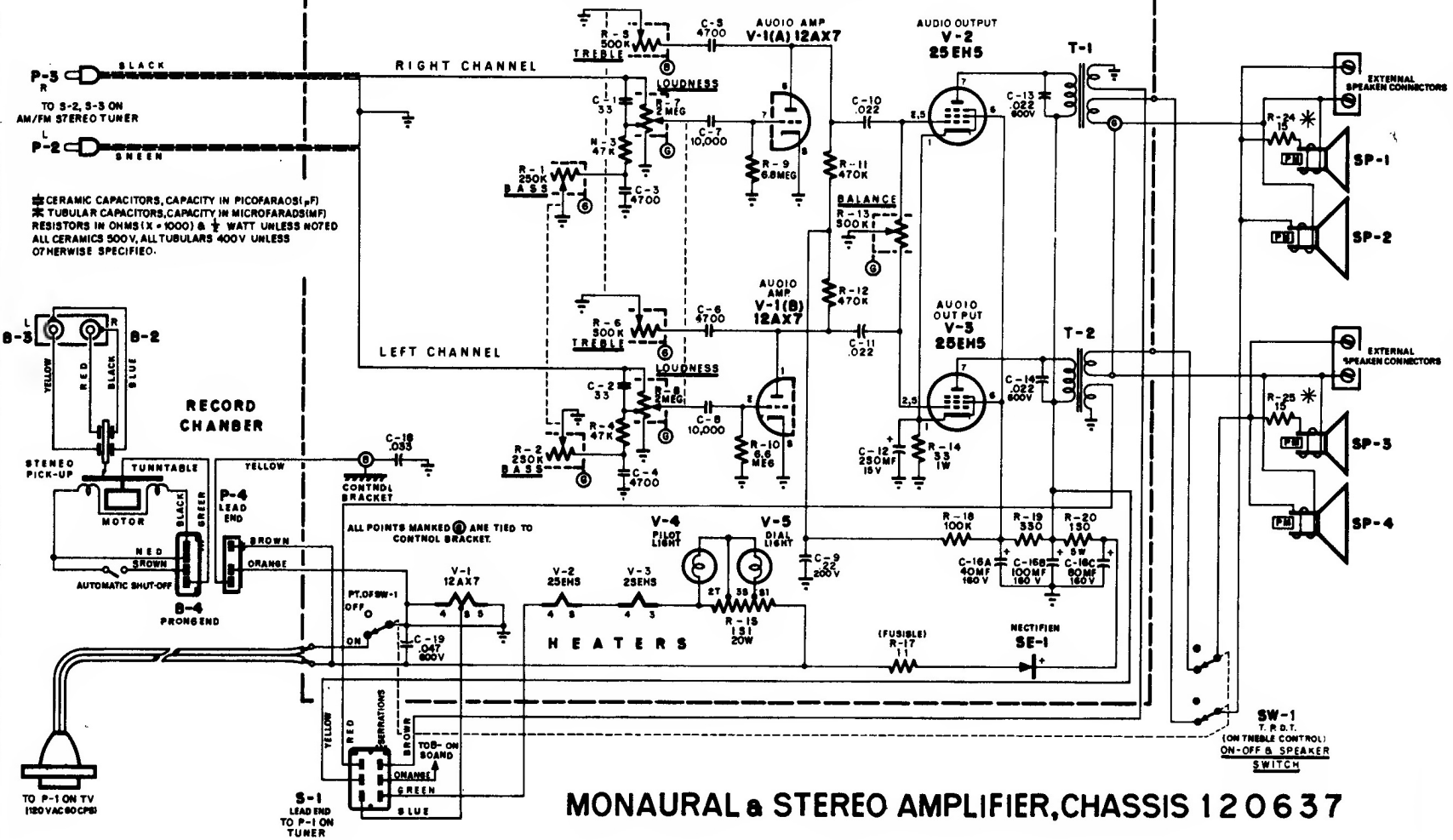


MONAURAL AND STEREO AMPLIFIER BOARD



* CERAMIC CAPACITORS, CAPACITY IN PICOFARADS (pF)
 * TUBULAR CAPACITORS, CAPACITY IN MICROFARADS (µF)
 RESISTORS IN OHMS (X = 1000) & ½ WATT UNLESS NOTED
 ALL CERAMICS 500V, ALL TUBULARS 400V UNLESS OTHERWISE SPECIFIED.

MONAURAL & STEREO AMPLIFIER, CHASSIS 120637

NOTE 1 - Proper phasing of loudspeakers must be observed when making replacements.

(*) NOTE 2 - R-24 and R-25 used in Model P-1936 only. Model P-1937 utilizes two 4 mfd. non-polarized capacitors (Pt. #925391) in place of these resistors to provide high-frequency cross-over.

EMERSON Models P-1936, P-1937, using Amplifier Chassis 120637

EMERSON Models P-1936, P-1937, using Amplifier Chassis 120637